

# N3

## Quick Start Guide



**TECO**  **Westinghouse**



# N3

## QUICK START GUIDE

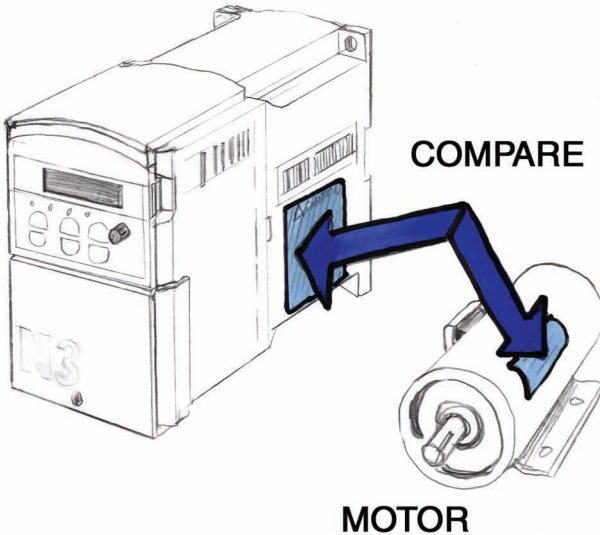
This guide provides the essential steps to verify that your N3 drive and motor are working properly. You will use the keypad to start and stop the drive and set up the motor speed.

### 1

### Check Inverter Nameplate

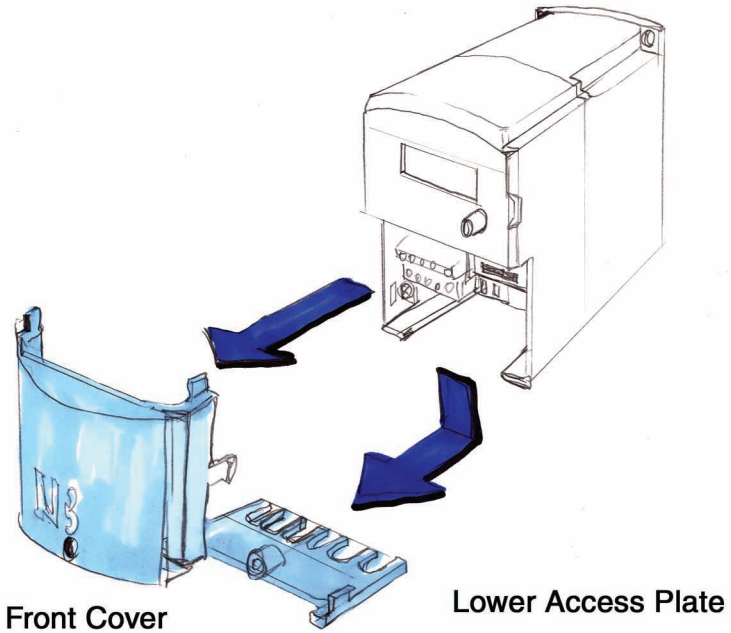
Verify that this is the model you intended to use. Compare the N3 AC Inverter nameplate Volts and Amps ratings with the motor nameplate. The ratings should be the same.

**Caution:** This step is important because an unmatched motor and inverter can result in motor or drive failure.



**2**

**Remove Front Cover & Lower Access Plate**





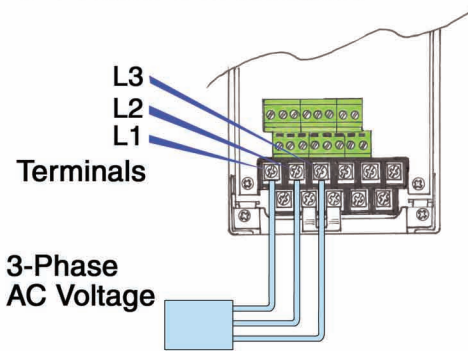
## Connect AC Input Wire (1-Phase or 3-Phase) to Power Terminal Strip

(This step requires installation by qualified personnel.)

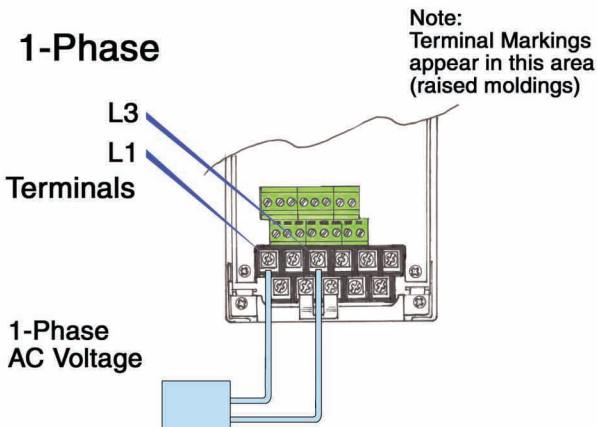
Locate the power terminal strip. Check the AC voltage rating shown on the Inverter nameplate with the AC incoming voltage.

**Caution:** Applying voltage higher than the rated N3 AC input voltage will damage the drive and could cause personal injury.

### 3-Phase Connection



### 1-Phase



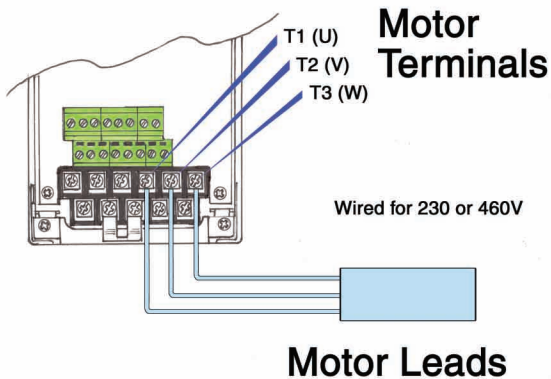
# 4

## Connect 3 Motor Leads to Terminal Strip

Check the motor leads to insure they are wired to match the 230 Volt or 460 Volt output as shown on the N3 inverter nameplate.

**Caution:** Applying higher than rated voltage to the motor will damage the motor.

### Check Motor Nameplate



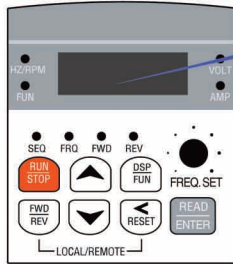
# 5

## Apply AC Power

Apply AC power to the drive and observe the keypad.

**A** First 5 Seconds  
Display Reads  
AC INPUT VOLTAGE

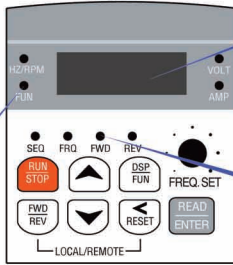
### Keypad



AC Volts  
230  
or  
460

**B** After 5 Seconds  
Display Reads  
INPUT FREQUENCY  
05.00Hz (LOW RPM)

### Keypad



05.00Hz

HZ LED  
Remains  
Lit

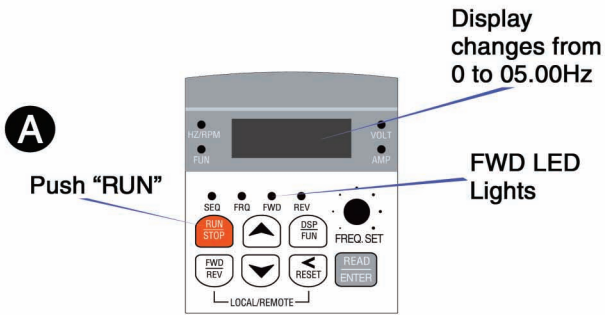
FWD LED  
Blinks  
ON and OFF

A row of five LED status icons: a lit red starburst, a black circle, a lit red starburst, a black circle, and a lit red starburst.

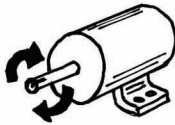
# 6

## Start AC Inverter without Motor Load

This step is done without the motor connected to the machinery in order to prevent damage from reverse rotation of the motor shaft. If the motor is connected, do not apply any additional load to the machine.



**B** Check Motor Shaft Rotation



**C** If correct, push "STOP" button

# 6

## Continued

### **D** IF WRONG DIRECTION



1) Push "STOP" Button



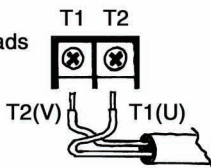
2) Remove AC Power to the Inverter



3) Wait until LED Display turns OFF.



4) Reverse Motor Leads T1(V) and T2



### **E** 1) Re-Apply AC Power



2) Push "RUN" Button



3) Check Motor Shaft Rotation



4) Push "STOP" Button to Stop the Motor

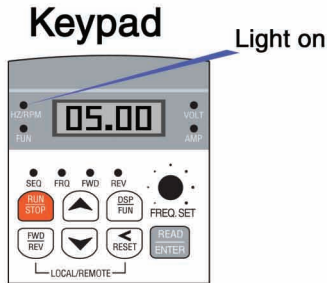




# 7

## Adjusting Inverter Speed 60Hz Example:

- A** Drive Stopped  
FREQ = 5Hz





- B** RESET  
FREQ to 60Hz  
(60Hz = Full Speed)



- 1) Select this location  
by shifting left  
with 

- 3) Select this location  
by shifting left  
with 

- 2) Push UP arrow   
until "6" is shown

- 4) Push DOWN arrow  
 until "0" is  
shown

- C** Push "ENTER" 

- D** Push "RUN" 

- E** Drive accelerates to 60Hz

**8**

**Stop the Inverter**



**You have just completed all the steps in the Quick Start Guide.**



## Refer to N3 Instruction Manual

You are now ready to refer to the easy-to-read **TECO N3 Instruction Manual** for topics regarding installation, environmental consideration, basic set-up adjustments, remote control, and advanced adjustments that allow you to customize the N3 for your application.



# ***ATTENTION***

**Should your N3 AC Inverter not start properly, follow the instructions below.**

1. Remove power and carefully follow steps 1 through 8 as shown in the N3 Quick Start Guide
2. If the N3 again fails to start; remove power from the N3.
3. Immediately call TECO-Westinghouse Drives Support Group at 1-800-279-4007 (then press #1 for Drives Technical Support).

---

## **TECO-Westinghouse Motor Company**

5100 North IH-35  
Round Rock, TX 78681

Toll-Free: 800-451-8798  
Telephone: 512-255-4141  
Fax: 512-244-5512  
[www.tecowestinghouse.com](http://www.tecowestinghouse.com)